

## Raised Bed Design Plans



THE TIERED PLANTER WAS ORIGINALLY BUILT FOR THE TEACHING AND DISPLAY GARDEN AT THE SPOONER AG RESEARCH STATION.

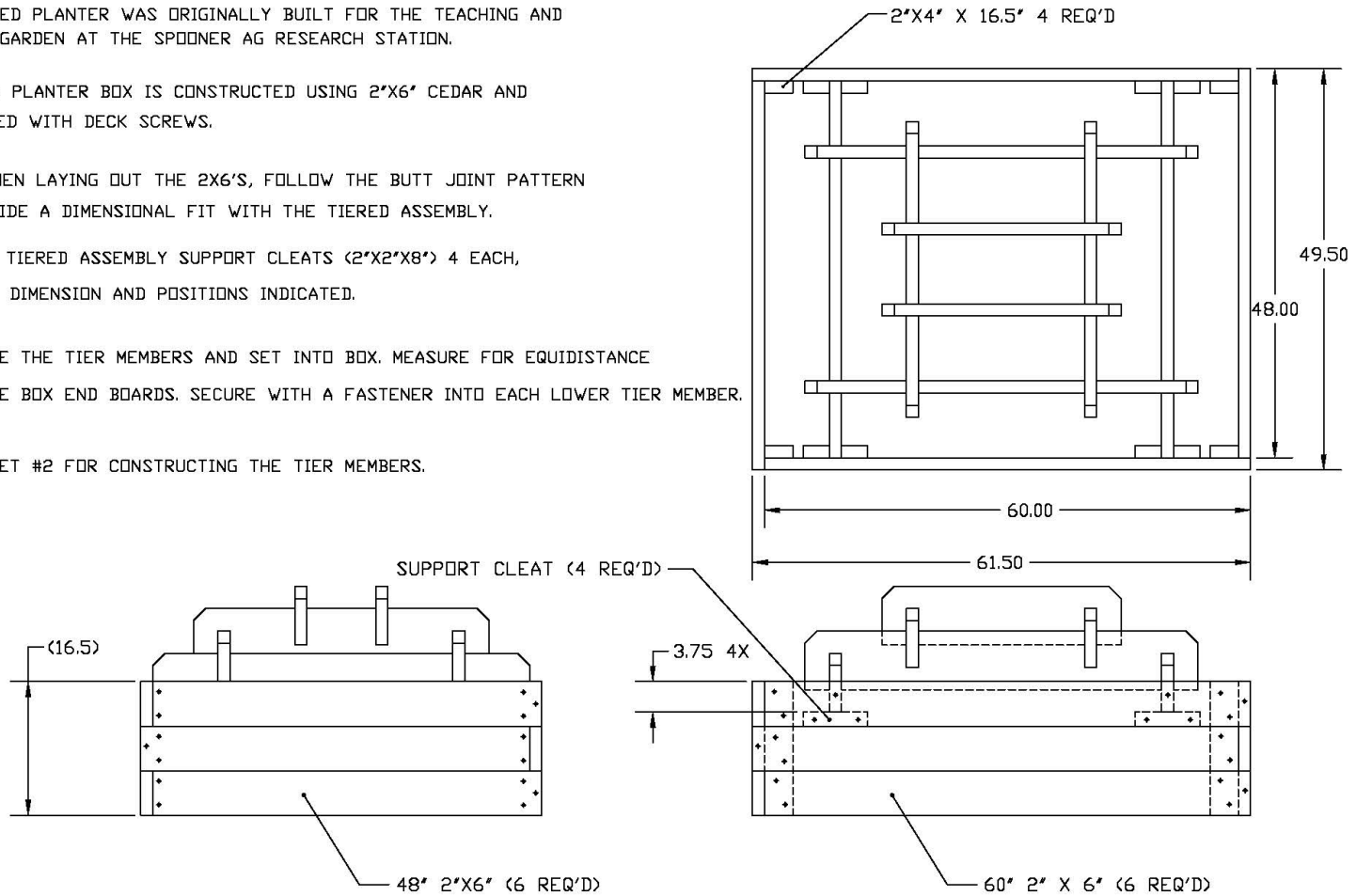
THE TIER PLANTER BOX IS CONSTRUCTED USING 2"x6" CEDAR AND ASSEMBLED WITH DECK SCREWS.

NOTE: WHEN LAYING OUT THE 2X6'S, FOLLOW THE BUTT JOINT PATTERN TO PROVIDE A DIMENSIONAL FIT WITH THE TIERED ASSEMBLY.

INSTALL TIERED ASSEMBLY SUPPORT CLEATS (2"x2"x8") 4 EACH, AT THE DIMENSION AND POSITIONS INDICATED.

ASSEMBLE THE TIER MEMBERS AND SET INTO BOX. MEASURE FOR EQUIDISTANCE WITH THE BOX END BOARDS. SECURE WITH A FASTENER INTO EACH LOWER TIER MEMBER.

SEE SHEET #2 FOR CONSTRUCTING THE TIER MEMBERS.

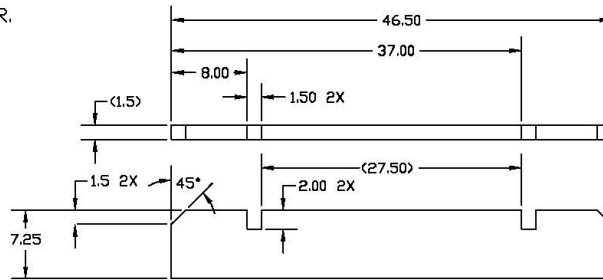


PROJECT NO. 4-1000		APPROVALS		DATE		NORTH COUNTRY MGVS	
PROJECT NAME		SPOONER		MEMBERS, TIERED PLANTER		WISCONSIN 54801	
PROJECT LOCATION		H. PARKER		07-16-12			
PROJECT OWNER		DATE		SHEET #1		OF	
PROJECT NO.		SCALE		1:8		1 OF 1	
APPLICATION		DO NOT SCALE DRAWING					

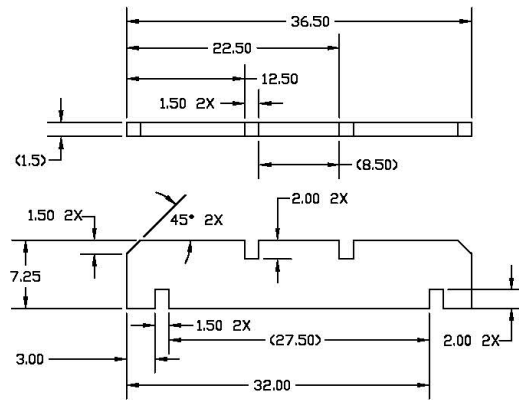
Sheet 2

THE TIERED PLANTER WAS ORIGINALLY BUILT FOR  
THE TEACHING AND DISPLAY GARDEN  
AT THE SPOONER AG RESEARCH STATION

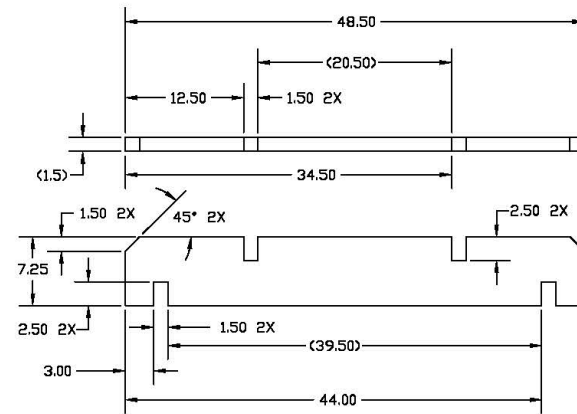
ALL MEMBERS CONSTRUCTED FROM  
2" X 8" RED CEDAR.



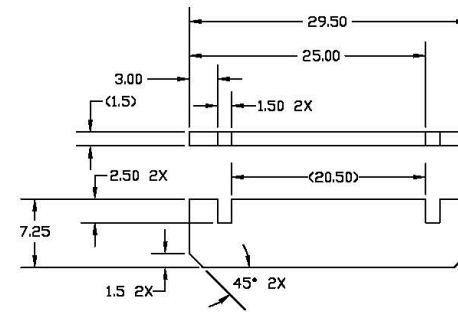
TIER #1 (LOWEST MEMBER 2-REQ'D)



TIER #3 (2 REQ'D)



TIER #2 (2 REQ'D)



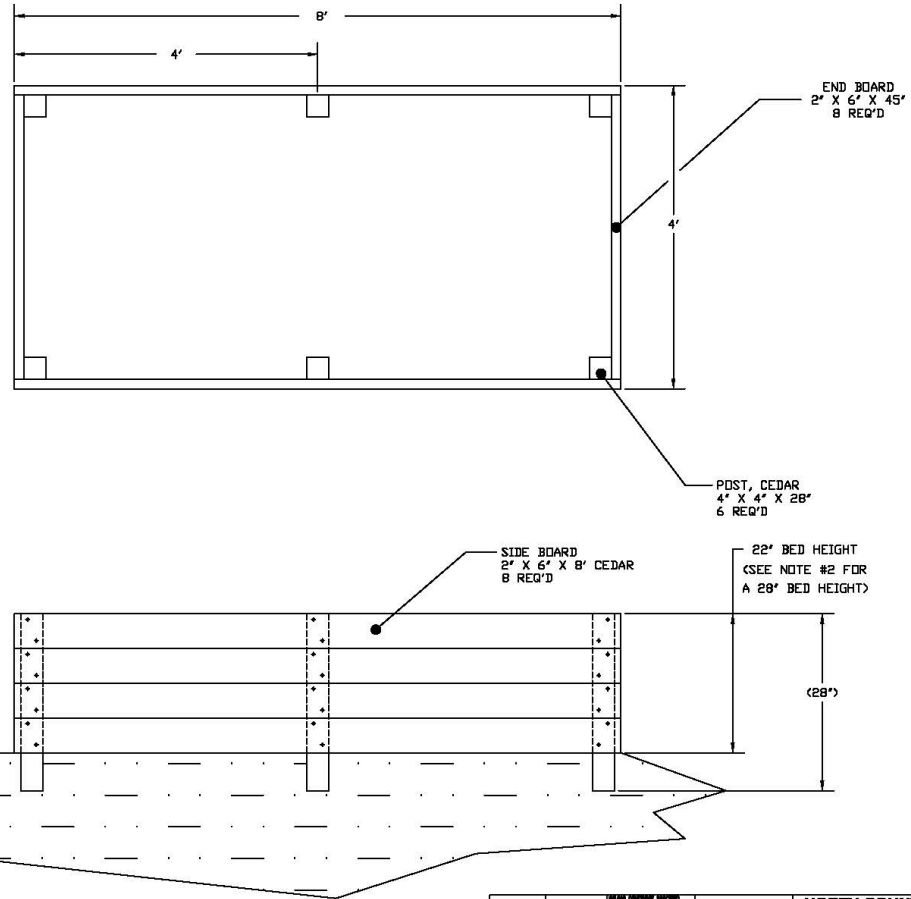
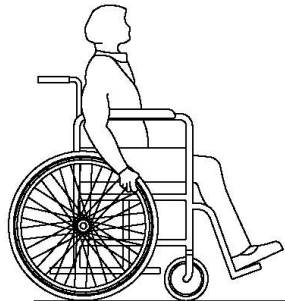
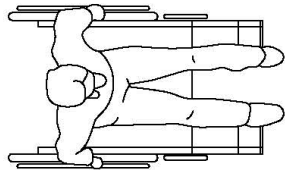
TIER #4 (2 REQ'D)

NORTH COUNTRY MGVS SPOONER WISCONSIN 54801		APPROVALS		DATE
DESIGNED BY E. PARKER	CHECKED BY E. PARKER	DATE	DATE	DATE
MEMBERS, TIERED PLANTER				
REV	APP	DATE	BY	NO. OF SHEETS
				1:8
APPLICATION		DO NOT SCALE DRAWING		SHEET #2 1 OF 1

NOTES:

1) ALL MEMBERS ASSEMBLED WITH 3" TO 3 1/2" LENGTH DECK SCREWS IN THE APPROXIMATE LOCATIONS AS DEPICTED. IT IS ADVISED THAT PILOT HOLES BE DRILLED TO PREVENT SPLITTING OF BOARDS.

2) ADD ANOTHER TIER OF 2" X 6" CEDAR FOR A 28" RAISED BED. A MORE SUITABLE HEIGHT FOR THE STANDING GARDENER. ADD ADDITIONAL LENGTH TO THE POSTS TO PROVIDE FOR A 6" EXTENSION TO BE DUG INTO THE GROUND.



NORTH COUNTRY MGVS SPENCER		APPROVALS DATE	
BED, RAISED (WHEEL CHAIR ACCESS)		R. PARKER 08-16-10	
REV	DATE	BY	DATE
1	08-16-10	R. PARKER	08-16-10
APPLICATION		DO NOT SCALE DIMENSIONS	
SCALE: 1:8		SHEET: 1 OF 1	